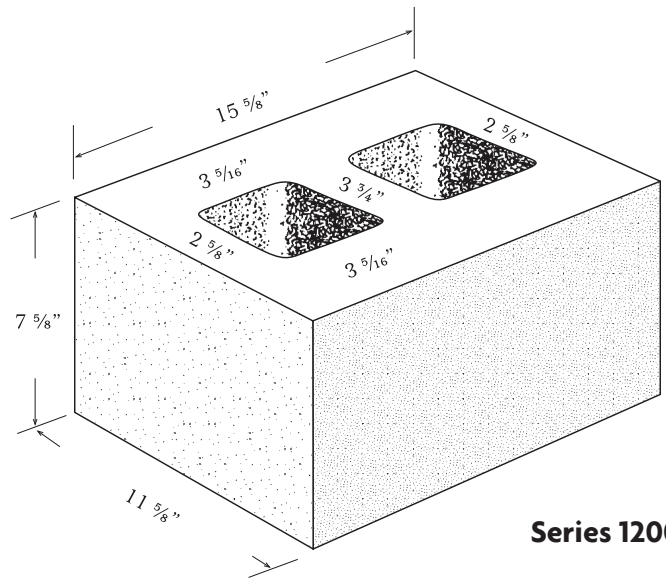


**75% Solid**

**MEETS**  
 -ASTM C90-05 for concrete  
 -ASTM C-331 for lightweight



**Series 1200**

Approvals	Comments
-----------	----------

Belgrade  
 28 Old Route 27 Road  
 207-495-3313

Auburn  
 270 Riverside Drive  
 207-782-1132

Westbrook  
 70 Warren Avenue  
 207-854-9184

Saco  
 195 North Street  
 207-286-1733

Kittery  
 15 Route 236  
 207-439-9504

Naples  
 96 Roosevelt Trail  
 207-693-5355

Topsham  
 293 Lewiston Road  
 207-725-4394