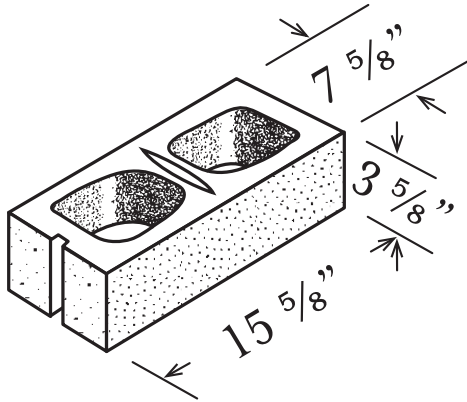


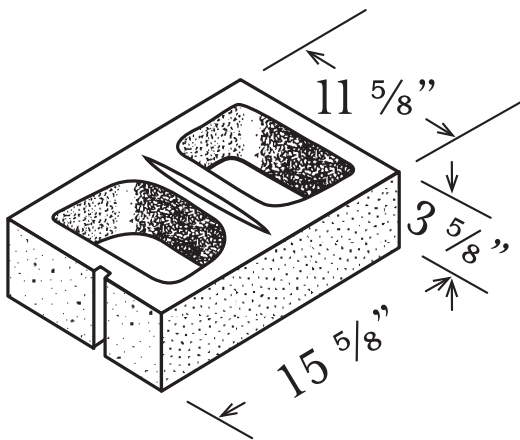
Series 400
3 5/8" x 15 5/8" x 3 5/8"

MEETS
-ASTM C90-05 for concrete



Series 800
3 5/8" x 15 5/8" x 7 5/8"

- 4" 3 Core Jamb Ends
- 8" & 12" 2 Core Splitable for Halves Jamb Ends with Sash
- 8" & 12" Notched Knock-outs available for horizontal reinforcing



Series 1200
3 5/8" x 15 5/8" x 11 5/8"

Approvals	Comments

Belgrade
28 Old Route 27 Road
207-495-3313

Auburn
270 Riverside Drive
207-782-1132

Westbrook
70 Warren Avenue
207-854-9184

Saco
195 North Street
207-286-1733

Kittery
15 Route 236
207-439-9504

Naples
96 Roosevelt Trail
207-693-5355

Topsham
293 Lewiston Road
207-725-4394