

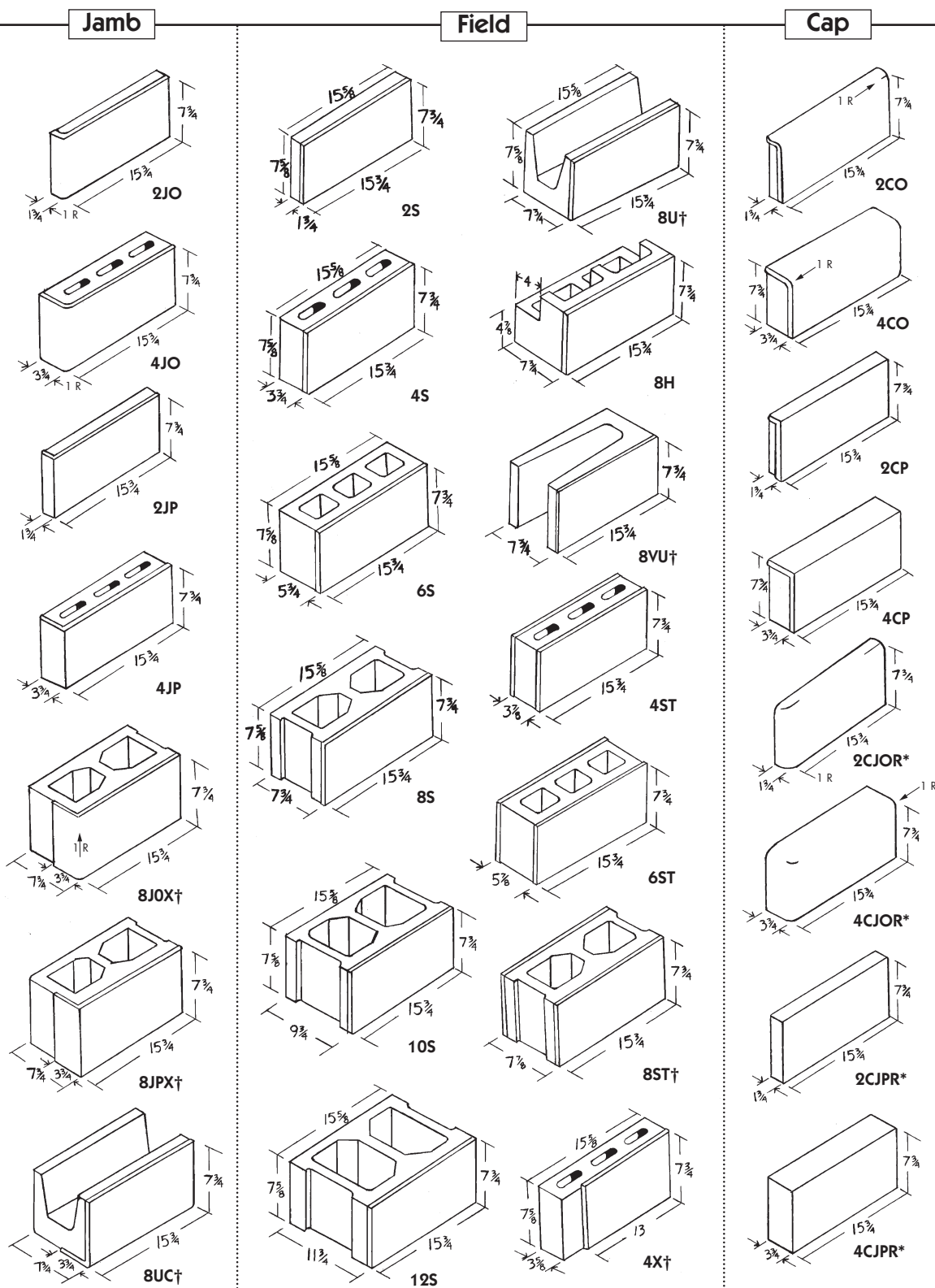


Spectra-Glaze® II

FACTORY-GLAZED CONCRETE MASONRY UNITS

Units details shown are representative. Consult Clayton Block for precise sizes, shapes, and block configurations available.

Double-faced glazed units provide the economy of two-face walls in a single operation, where precise bed-depth tolerances are not mandatory. For double-faced glazed units, bed-depth tolerances conform to ASTM C-90

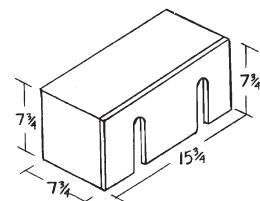


*Specify right or left (right shown)
†Also in other standard thicknesses.

Standard Shapes Series continued on other side

SPECTRA-GLAZE®

Soundblox® Pre-faced Acoustical Unit

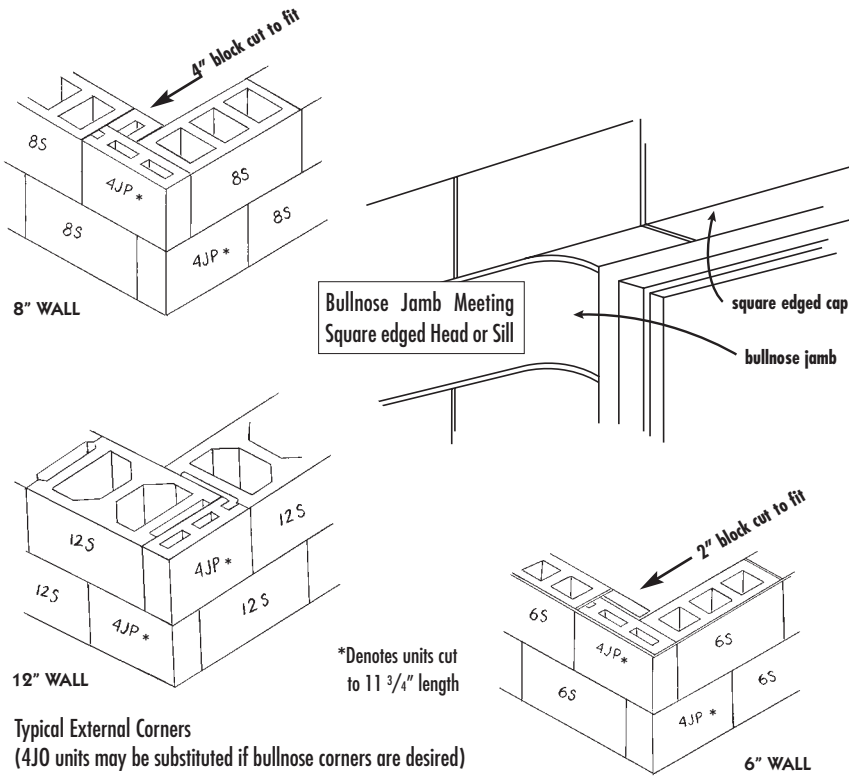


NEW SPECTRA-GLAZE® TRYM-SAVER™ UNITS

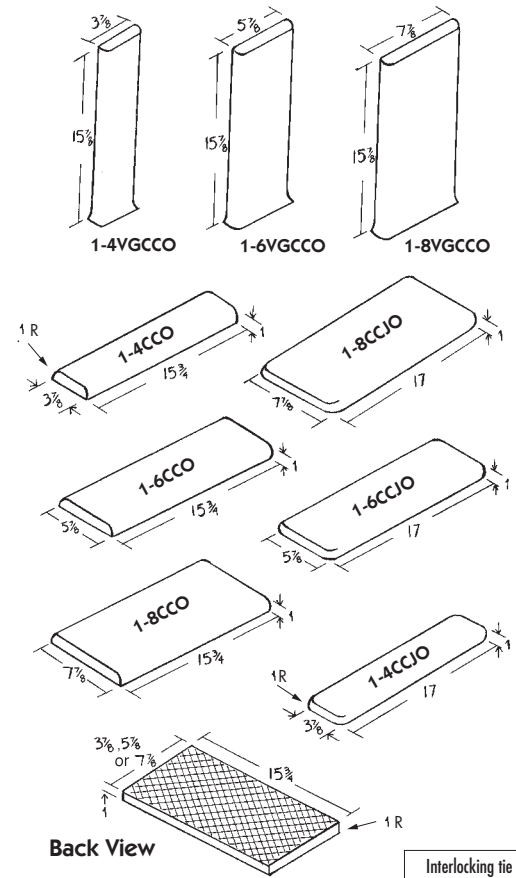
The SPECTRA-GLAZE® / TRYM SAVER™ System uses a unique, integrally bonded corrosion resistant wire mesh which acts as a permanent fastener to securely lock the unit into the wall structure. The mesh extends beyond the back of the molded unit and is easily pushed into the mortar bed. It also provides for easy application of mortar to the back of the unit. This integrally bonded mesh allows for the standard 1/4" mortar joint.

Construction Details

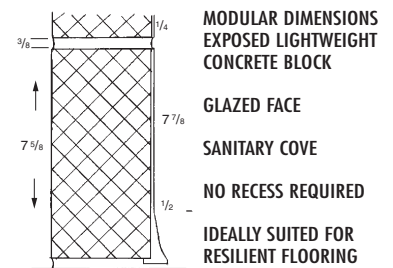
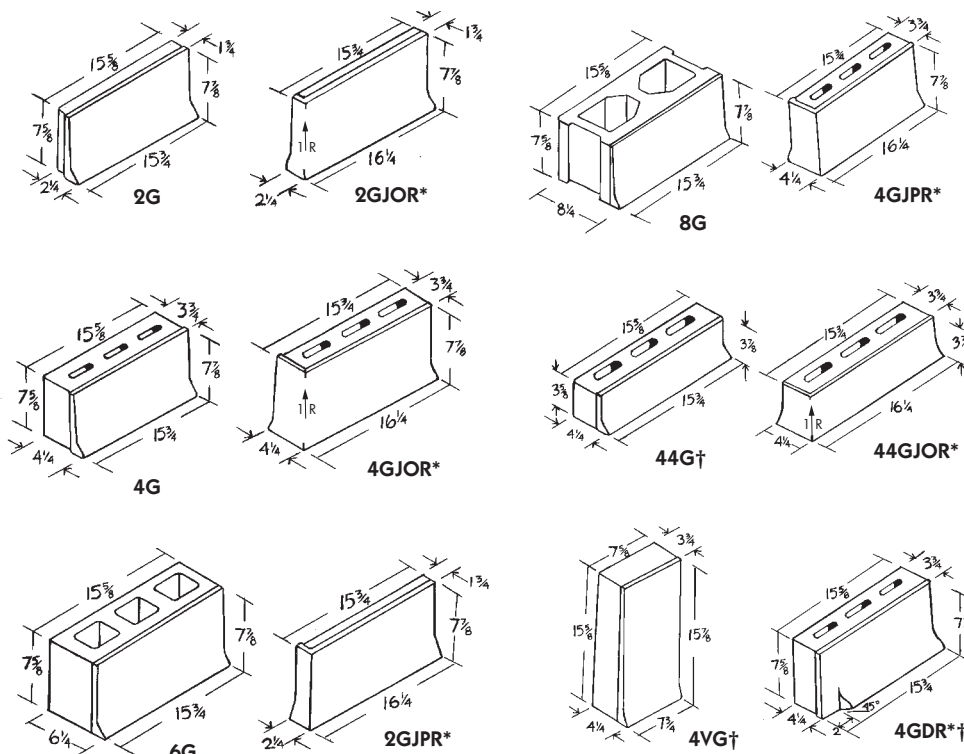
for Standard Shapes Series (See other side)



Closure Units



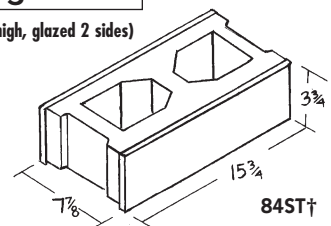
COVE BASE Continued from other side (standard shapes & sizes)



The Cove Base provides a modular dimensioned sanitary base unit installed without a floor recess. Meets OSHA requirements.

Straight Base

(4" high, glazed 2 sides)



*Specify right or left (right shown)
†Also in other standard thicknesses.