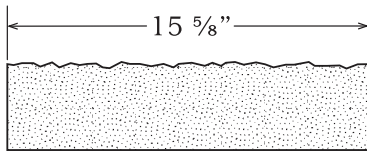
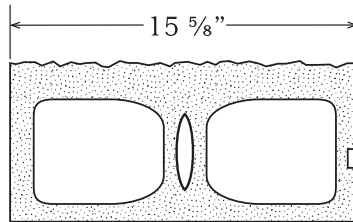


**MEETS**  
 -ASTM C90-05 for concrete  
 -ASTM C-331 for lightweight

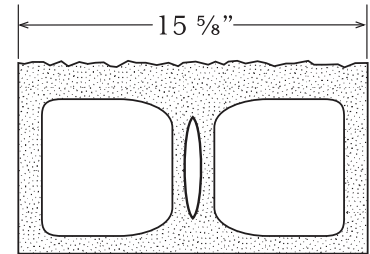
8" Split Face Corners  
 Available



4" x 8" x 16"



8" x 8" x 16" - Splittable



10" x 8" x 16" - Splittable  
 Halves Available

Approvals	Comments
-----------	----------

Belgrade  
 28 Old Route 27 Road  
 207-495-3313

Auburn  
 270 Riverside Drive  
 207-782-1132

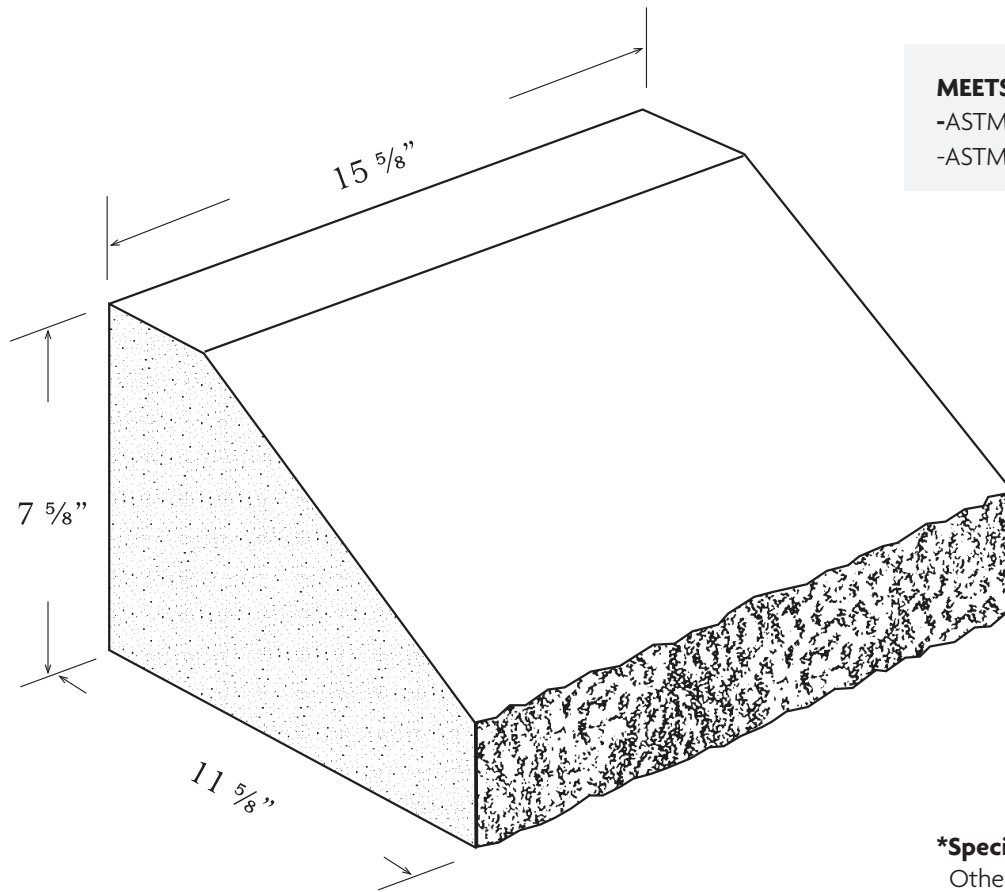
Westbrook  
 70 Warren Avenue  
 207-854-9184

Saco  
 195 North Street  
 207-286-1733

Kittery  
 15 Route 236  
 207-439-9504

Naples  
 96 Roosevelt Trail  
 207-693-5355

Topsham  
 293 Lewiston Road  
 207-725-4394



**MEETS**  
 -ASTM C90-05 for concrete  
 -ASTM C-331 for lightweight

**\*Special Order**  
 Other sills available on request

Approvals	Comments
-----------	----------

Belgrade  
 28 Old Route 27 Road  
 207-495-3313

Auburn  
 270 Riverside Drive  
 207-782-1132

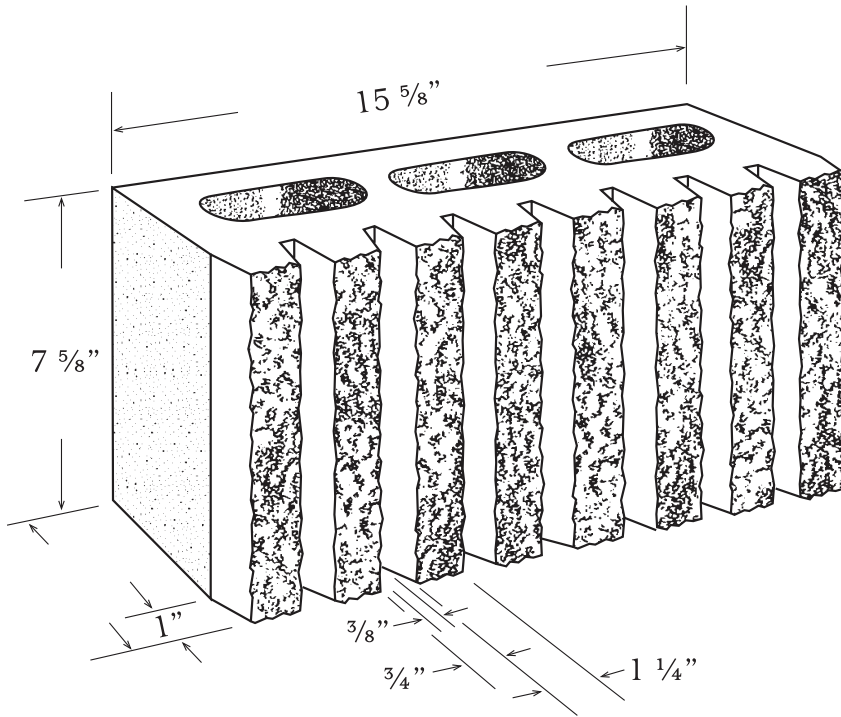
Westbrook  
 70 Warren Avenue  
 207-854-9184

Saco  
 195 North Street  
 207-286-1733

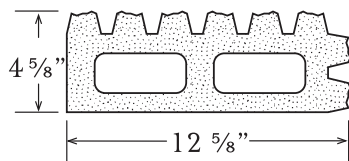
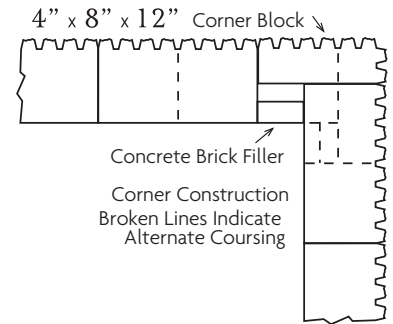
Kittery  
 15 Route 236  
 207-439-9504

Naples  
 96 Roosevelt Trail  
 207-693-5355

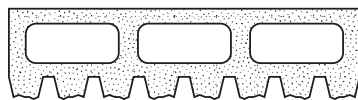
Topsham  
 293 Lewiston Road  
 207-725-4394



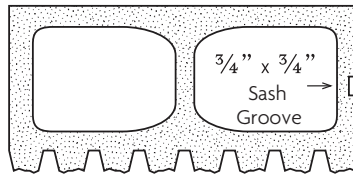
**MEETS**  
 -ASTM C90-05 for concrete  
 -ASTM C-331 for lightweight



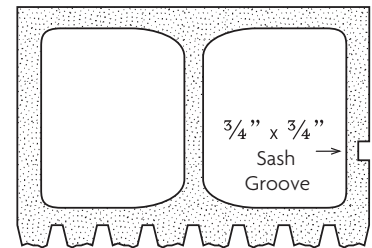
**CORNER BLOCK**



4" x 8" x 16" Stretcher



8" x 8" x 16" Stretcher



12" x 8" x 16" Stretcher

- SIZES**
- 4" (4 5/8" actual)
  - \*6" (4 5/8" actual)
  - 8" (4 5/8" actual)
  - 12" (4 5/8" actual)

\*Special Order

Approvals	Comments
-----------	----------

Belgrade 28 Old Route 27 Road 207-495-3313	Auburn 270 Riverside Drive 207-782-1132	Westbrook 70 Warren Avenue 207-854-9184	Saco 195 North Street 207-286-1733	Kittery 15 Route 236 207-439-9504	Naples 96 Roosevelt Trail 207-693-5355	Topsham 293 Lewiston Road 207-725-4394
--	---	---	--	---	--	--