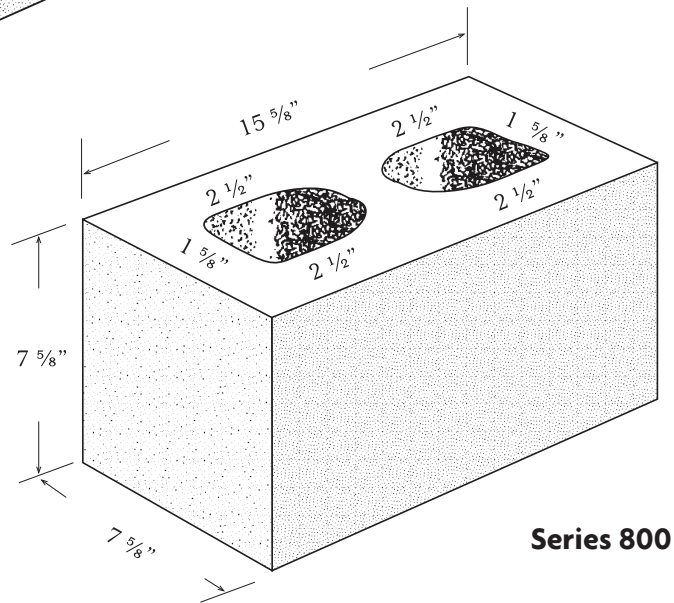


MEETS
 -ASTM C90-05 for concrete
 -ASTM C-331 for lightweight



Approvals	Comments
-----------	----------

Belgrade
 28 Old Route 27 Road
 207-495-3313

Auburn
 270 Riverside Drive
 207-782-1132

Westbrook
 70 Warren Avenue
 207-854-9184

Saco
 195 North Street
 207-286-1733

Kittery
 15 Route 236
 207-439-9504

Naples
 96 Roosevelt Trail
 207-693-5355

Topsham
 293 Lewiston Road
 207-725-4394