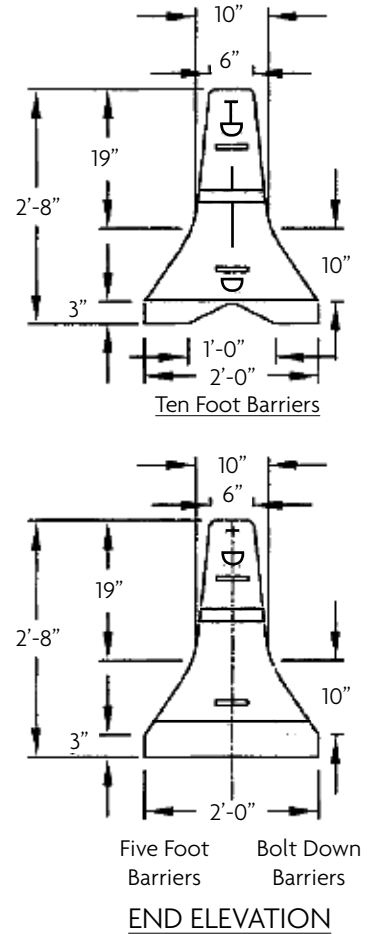
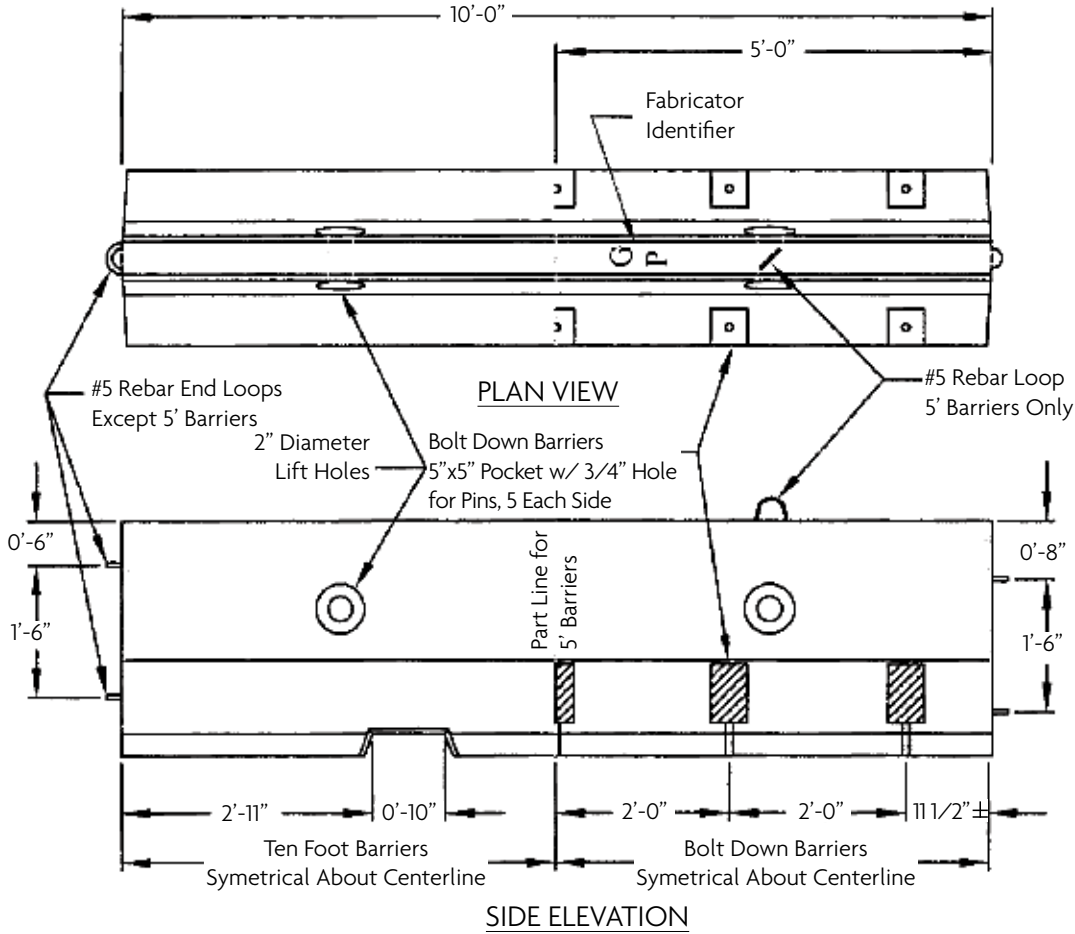


Concrete Barrier

Five and Ten Feet Long Gravity, Ten Foot Long Bolt Down



Type	Length	Weight
Gravity	5'-0"	1,800 lbs.
Gravity	10'-0"	3,600 lbs.
Bolt Down	10'-0"	3,600 lbs.

DESIGN NOTES:

- 1) Concrete Mix Design is 4,000 PSI standard at 28 days, Type 3 Cement.
- 2) Reinforcing Steel, ASTM A 615, Grade 60, #4 and #5.