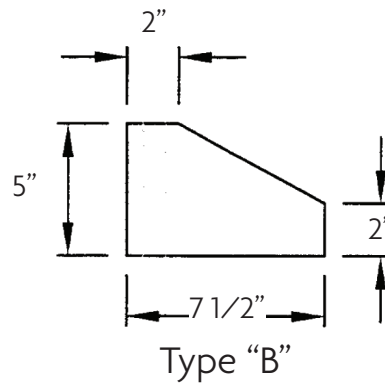
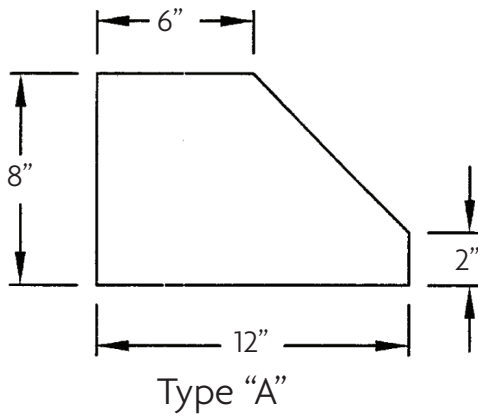
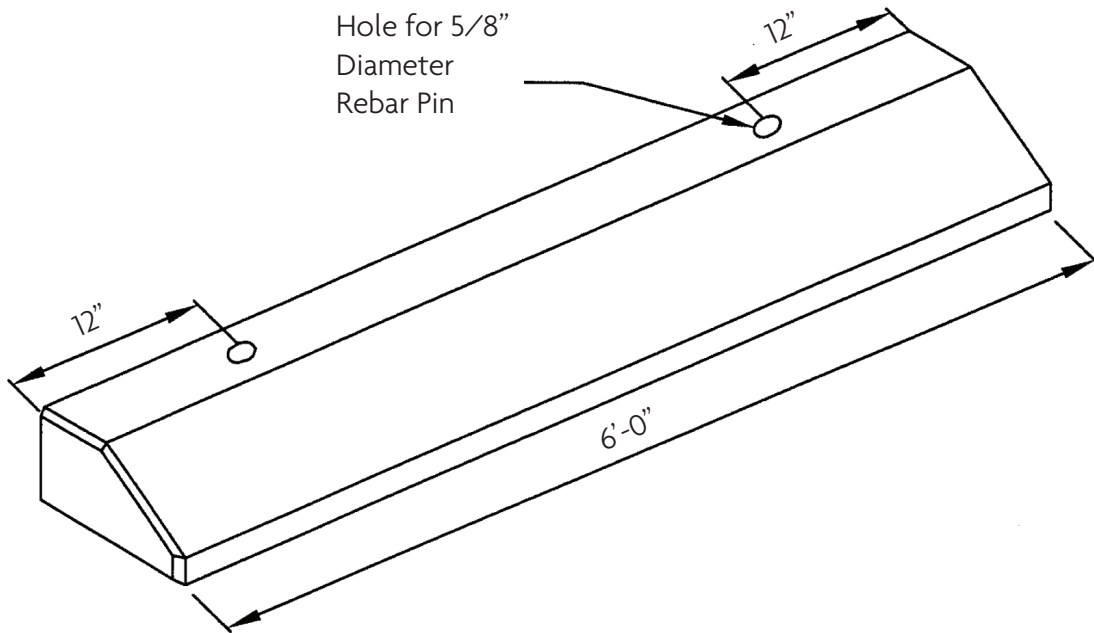


## Parking Lot Curb



Type	Weight
"A"	485 lbs.
"B"	185 lbs.

### DESIGN NOTES:

- 1) Concrete Mix Design is 4,000 PSI standard at 28 days, Type 3 Cement.
- 2) Reinforcing Steel, ASTM A 615, Grade 60, number 4.