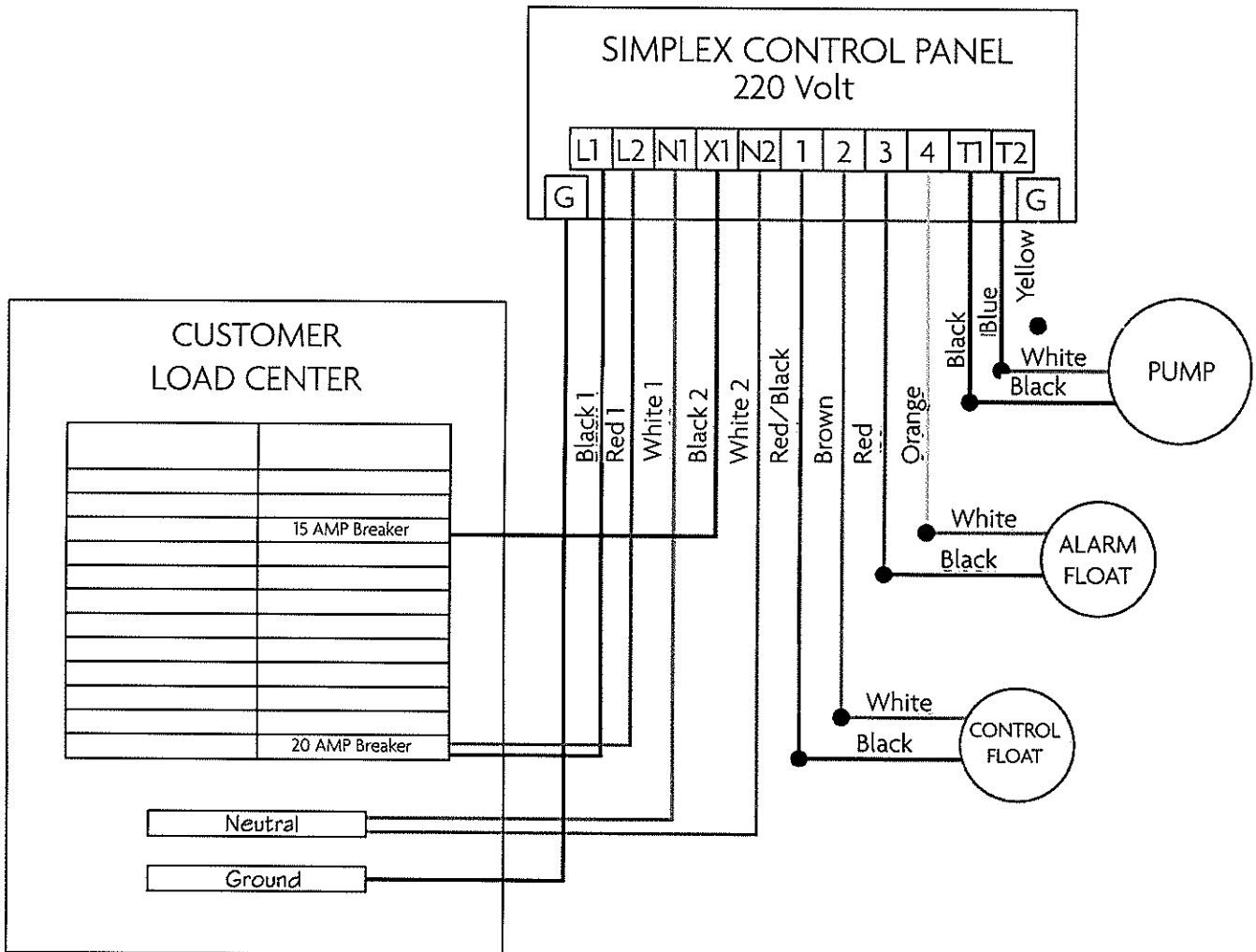


220V Sewage Pump Control Schematic



220 Volt Wiring Key	
Terminal	Color
G	Ground from 20 & 15 Amp Breaker
L1	Black from 20 Amp Breaker
L2	Red from 20 Amp Breaker
N1	White from 20 Amp Breaker
X1	Black from 15 Amp Breaker
N2	White from 15 Amp Breaker
1	Red/Black
2	Brown
3	Red
4	Orange
T1	Black
T2	Blue
G	Yellow