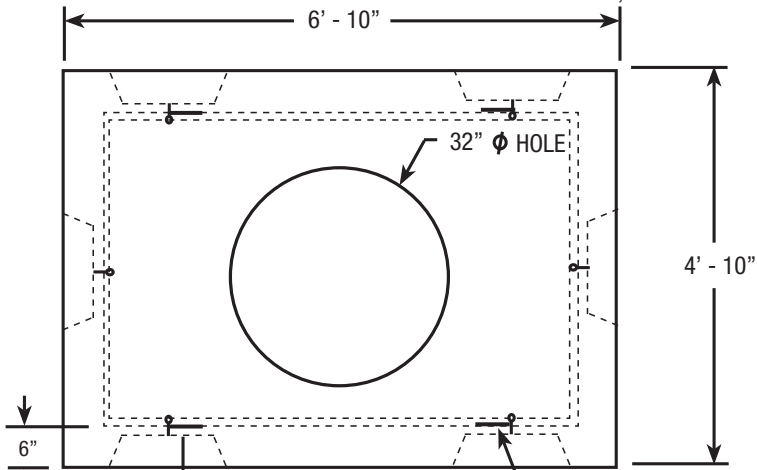


Heavy Duty 4' x 6' Splice Box

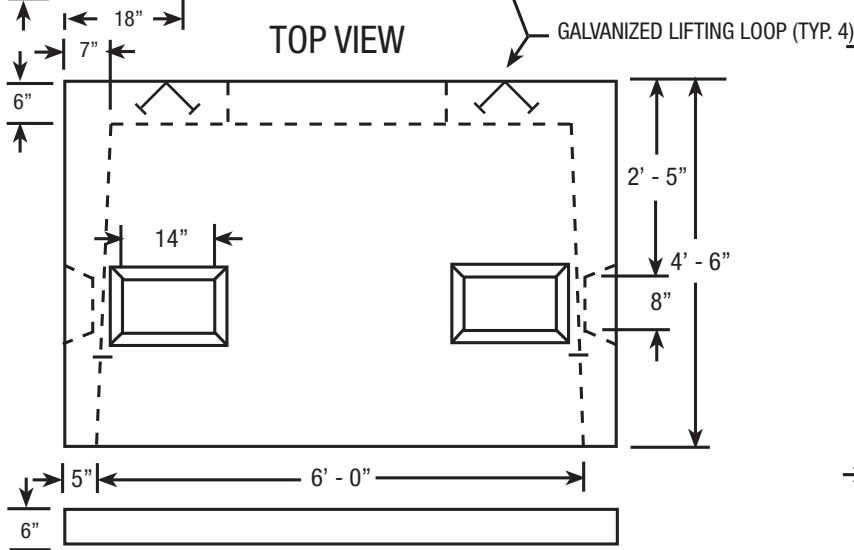
ITEM #B-13
 WEIGHT - 8,500 LBS BASE SLAB 2,700 LBS



TOP VIEW

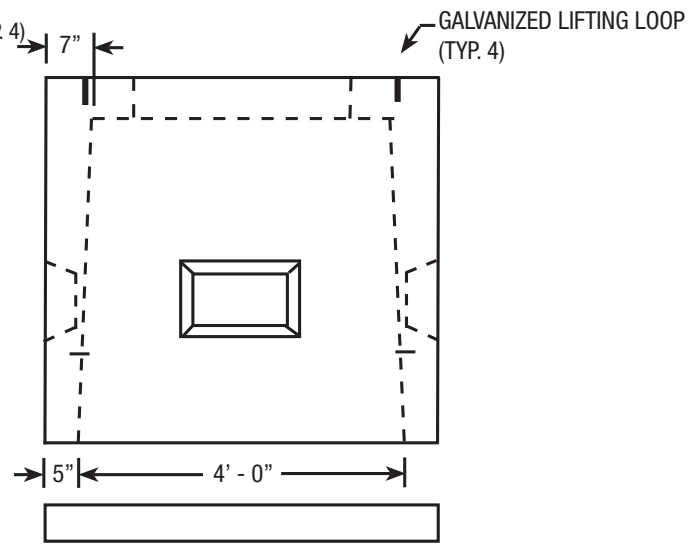
DESIGN NOTES:

- 1 - CONCRETE 5000 PSI AT 28 DAYS.
- 2 - REBAR GRADE 60 H-20 LOADING
3. OPENINGS SIZED FOR 4" & 6" CONDUIT.
- 4 - MEETS ALL CMP SPECIFICATIONS.
- 5 - SUITABLE FOR PRIMARY CABLE INSTALLATIONS
- 6 - 3/4" ID PULL-EYE BELOW EACH KNOCKOUT.



FRONT VIEW

OPTIONAL BASE SLAB



SIDE VIEW