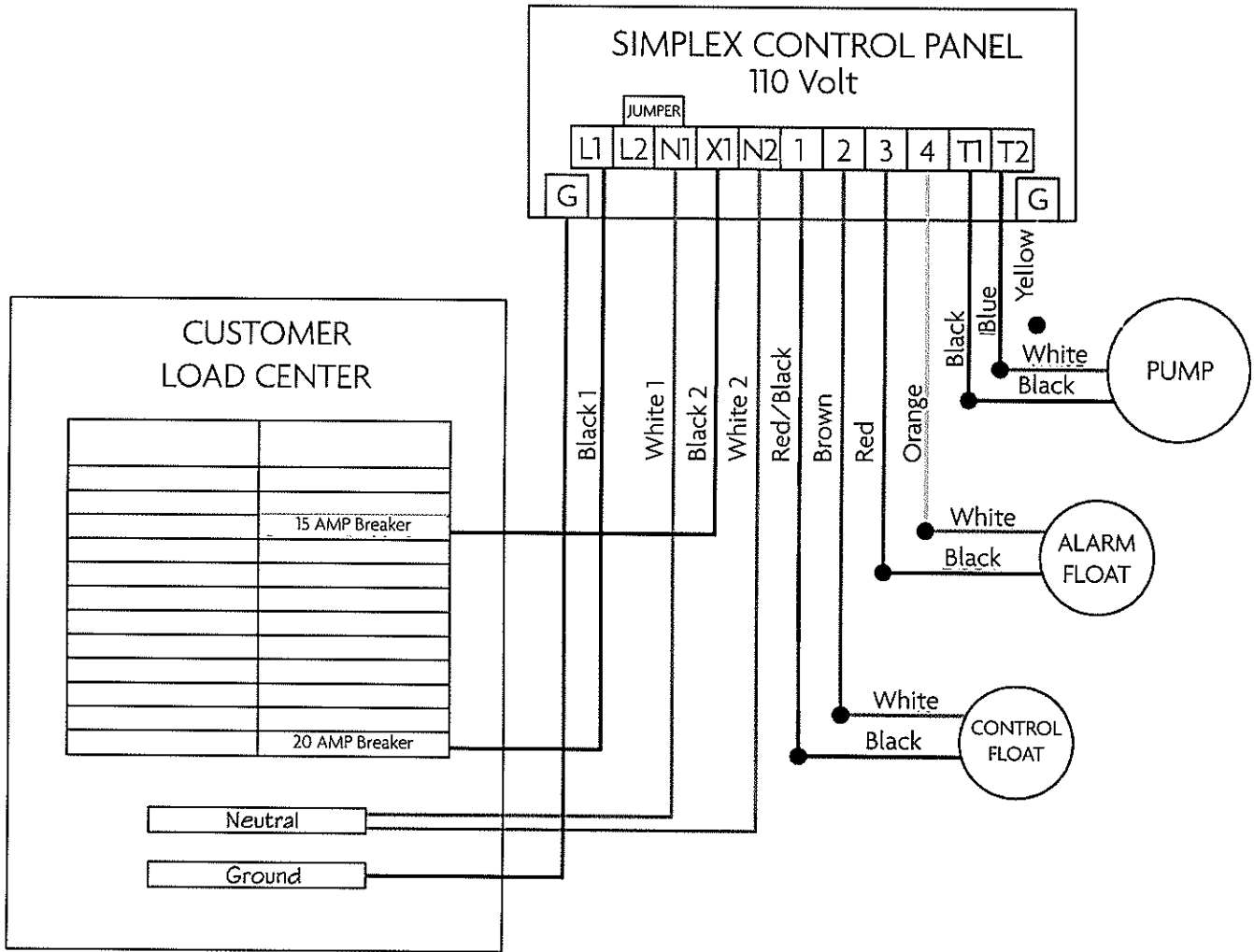


## 110V Sewage Pump Control Schematic



Terminal	Color
G	Ground from 20 # 15 Amp Breaker
L1	Black from 20 Amp Breaker
L2	N/A on 110 Volt System
N1	White from 20 Amp Breaker
X1	Black from 15 Amp Breaker
N2	White from 15 Amp Breaker
1	Red/Black
2	Brown
3	Red
4	Orange
T1	Black
T2	Blue
G	Yellow